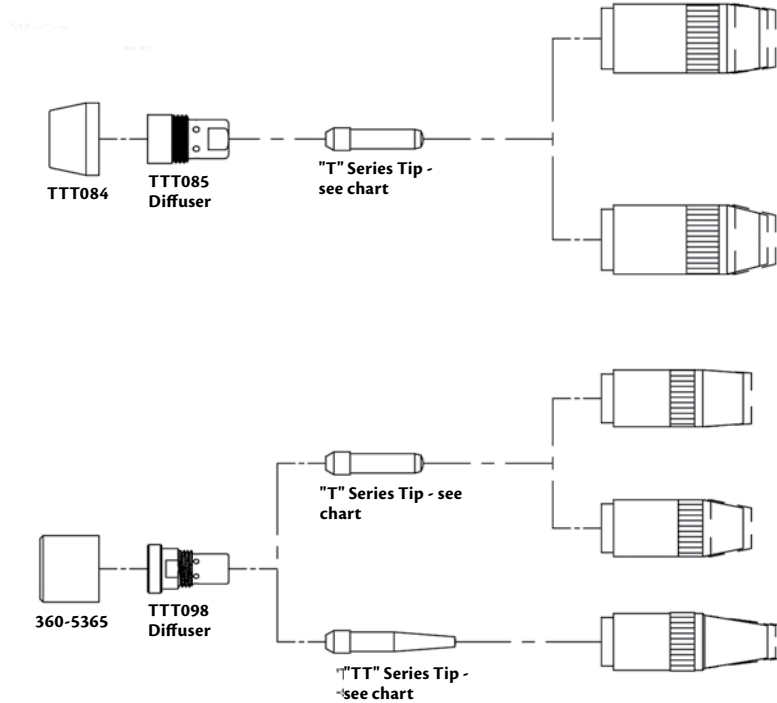


MIG GUNS & ACCESSORIES

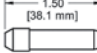


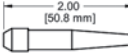
CENTERFIRE™ SERIES NOZZLES, TIPS & DIFFUSERS

- No tools required to replace tip or nozzle
- "Drop-In" tip with no threads means quick change after burnback, reducing down time
- Large diameter tip base and tapered seat provide better electrical conductivity and heat transfer
- Spatter shield within nozzle protects diffuser and gives smoother, less turbulent gas flow
- Solid, concentric relationship between tip and nozzle keeps tip centered even after hard use... and abuse
- Threaded nozzle holds tip fixed at 1/8" or 1/4" recess, flush, or 1/8" stick out
- Compatible with all standard air-cooled Bernard® guns
- Complete family of tips and nozzles is available to meet most of your welding needs



- TTU273** Copper Nozzle (3/4" I.D., Flush Tip)
- TTU037** Copper Nozzle (3/4" I.D., 1/8" Tip Recess)
- TTT092** Copper Nozzle (3/4" I.D., 1/4" Tip Recess)
- TTT093** Brass Nozzle (3/4" I.D., 1/8" Tip Recess)
- TTT094** Brass Nozzle (3/4" I.D., 1/4" Tip Recess)
- TTU274** Copper Nozzle (5/8" I.D., Flush Tip)
- TTU038** Copper Nozzle (5/8" I.D., 1/8" Tip Recess)
- TTT095** Copper Nozzle (5/8" I.D., 1/4" Tip Recess)
- TTT096** Brass Nozzle (5/8" I.D., 1/8" Tip Recess)
- TTT097** Brass Nozzle (5/8" I.D., 1/4" Tip Recess)
- TTT104** Brass Nozzle (5/8" I.D., 1/8" Tip Recess)
- TTT106** Brass Nozzle (1/2" I.D., Flush Tip)
- TTT105** Brass Nozzle (1/2" I.D., 1/8" Tip Recess)
- TTU275** Brass Nozzle (3/8" I.D., Flush Tip)
- TTT107** Brass Nozzle (3/8" I.D., 1/8" Tip Recess)
- TTU276** Brass Nozzle (3/8" I.D., 1/8" Tip Extension)

T SERIES		"T" Series Tip 		
Model No.	Mfg. No.	Description	Wire Size"	Price /Each
DIFFUSERS				
TTT084	10012	Insulator Cap	-	
TTT085	D-1	Diffuser	-	
CONTACT TIPS				
TTT086	T-030	1.50" Long	0.030	
TTT087	T-035	1.50" Long	0.035	
TTT088	T-039	1.50" Long	0.039	
TTT089	T-045	1.50" Long	0.045	
TTT090	T-052	1.50" Long	0.052	
TTT091	T-062	1.50" Long	1/16	
NOZZLES				
TTU273	N-3400C	Copper, Flush Tip	3/4 I.D.	
TTU037	N-3418C	Copper, 1/8" Tip Recess	3/4 I.D.	
TTT092	N-3414C	Copper, 1/4" Tip Recess	3/4 I.D.	
TTT093	N-3418B	Brass, 1/8" Tip Recess	3/4 I.D.	
TTT094	N-3414B	Brass, 1/4" Tip Recess	3/4 I.D.	
TTU274	N-5800C	Copper, Flush Tip	5/8 I.D.	
TTU038	N-5818C	Copper, 1/8" Tip Recess	5/8 I.D.	
TTT095	N-5814C	Copper, 1/4" Tip Recess	5/8 I.D.	
TTT096	N-5818B	Brass, 1/8" Tip Recess	5/8 I.D.	
TTT097	N-5814B	Brass, 1/4" Tip Recess	5/8 I.D.	

TT SERIES		"TT" Series Tip 		
Model No.	Mfg. No.	Description	Wire Size"	Price /Each
DIFFUSERS				
360-5365	4323R	Insulator Cap	-	
TTT098	DS-1	Diffuser	-	
CONTACT TIPS				
TTT099	TT-030	2.00" Long	0.030	
TTT100	TT-035	2.00" Long	0.035	
TTT101	TT-045	2.00" Long	0.045	
TTT102	TT-052	2.00" Long	0.052	
TTT103	TT-062	2.00" Long	1/16	
NOZZLES				
TTT104	NS-5818B	Brass, 1/8" Tip Recess	5/8 I.D.	
TTT106	NS-1200B	Brass, Flush Tip	1/2 I.D.	
TTT105	NS-1218B	Brass, 1/8" Tip Recess	1/2 I.D.	
TTU275	NST-3800B	Brass, Flush Tip	3/8 I.D.	
TTT107	NST-3818B	Brass, 1/8" Tip Recess	3/8 I.D.	
TTU276	NST-38XTB	Brass, 1/8" Tip Extension	3/8 I.D.	